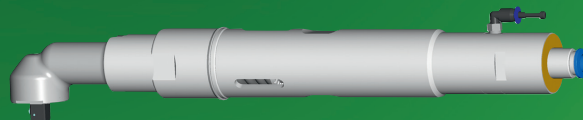


## Screwdriver Spindles pneumatic

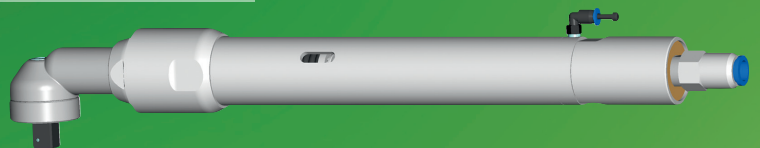
Motor Size 2



Motor Size 3



Motor Size 4



## MINIMAT Screwdrivers

**The basic solution for almost all screwdriving tasks**  
**angle head design – torque from 0.3 - 67 Nm / 2.7 to 593 in.lbs**



- highly accurate shut-off clutch
- for limited space
- durable
- robust

The particular strength of a MINIMAT screwdriver in angle design is that it can carry out screw assemblies with torque ranges of 0.3 Nm to 67 Nm. In these ranges you can not only assemble screws but also adjust them. The MINIMAT spindles can be easily integrated and are extremely small. They are available in right rotation and reversible.

These tools can be used without lubrication: This should however only be done in specific applications. Using a tool without lubrication will decrease its lifespan. The ergonomic MINIMAT screwdriver is extremely durable due to its extraordinary processing quality and design for heavy industrial use. The DEPRAG stationary screwdriver spindles with angle head design are preferably used for assemblies in tight areas.

Torque accuracies of < 3% standard deviation and thus  $C_{mk}$  values of  $\geq 1.67$  with a tolerance of  $\pm 15\%$  can be reached \* with these screwdrivers. Statistically speaking, the error rate is less than 0.6 per one million screw assemblies.

\*) under suitable process conditions

| Screwdriver Style                         |                           | Motor Size 2   |  |  |
|---|---------------------------|--|--|--|
| Spindle right rotation<br>Remote Start    | <b>Type</b><br>Part no.   | <b>377-320-7-E6.3</b><br>200616B   | <b>377-420-7-E6.3</b><br>200616D               | <b>377-520-7-E6.3</b><br>200616C               |
| Spindle end<br>Suitable tool inserts with |                           | External Square Drive DIN 3121 - E6.3 (1/4")<br>Internal Square Drive DIN 3121 - G6.3 (1/4")                             |  |  |
| Spindle right rotation<br>Remote Start    | <b>Type</b><br>Part no.   | <b>377-320-7-F6.3</b><br>2006161B  | <b>377-420-7-F6.3</b><br>2006161D              | <b>377-520-7-F6.3</b><br>2006161C              |
| Spindle end<br>Suitable tool inserts with |                           | Internal hex. Drive DIN ISO 1173 - F6.3 (1/4") with quick change chuck<br>External hex. Drive DIN ISO 1173 - E6.3 (1/4") |  |  |
| Torque min.                               | Nm / in.lbs               | 0.4 / 3.5  | 0.4 / 3.5                                      | 0.3 / 2.7                                      |
| Torque max.                               | Nm / in.lbs               | 3.6 / 31.9   | 4.5 / 39.8                                     | 6.5 / 57.5                                     |
| Speed, idling                             | rpm                       | 1070   | 710  | 470  |
| Air consumption                           | m <sup>3</sup> /min / cfm | 0.3 / 11   | 0.3 / 11                                       | 0.3 / 11                                       |
| Weight                                    | kg / lbs                  | 0.9 / 2  | 0.9 / 2  | 0.9 / 2  |
| Hose for air supply (O.D./I.D.)           | mm / in.                  | 8 / 5.5 (.314 / <sup>7</sup> / <sub>32</sub> )   | 8 / 5.5 (.314 / <sup>7</sup> / <sub>32</sub> ) | 8 / 5.5 (.314 / <sup>7</sup> / <sub>32</sub> ) |
| Hose for function control (O.D./I.D.)     | mm / in.                  | 4 / 2.5 (.157 / <sup>3</sup> / <sub>32</sub> )   | 4 / 2.5 (.157 / <sup>3</sup> / <sub>32</sub> ) | 4 / 2.5 (.157 / <sup>3</sup> / <sub>32</sub> ) |
| Noise level                               | dB (A)                    | 72   | 72   | 72   |

| Screwdriver Style                         |                           | Motor Size 2   |  |  |
|---|---------------------------|--|--|--|
| Spindle reversible<br>Remote Start        | <b>Type</b><br>Part no.   | <b>377-320-7U-E6.3</b><br>200633B  | <b>377-420-7U-E6.3</b><br>200633D              | <b>377-520-7U-E6.3</b><br>200633C              |
| Spindle end<br>Suitable tool inserts with |                           | External Square Drive DIN 3121 - E6.3 (1/4")<br>Internal Square Drive DIN 3121 - G6.3 (1/4")                             |  |  |
| Spindle reversible<br>Remote Start        | <b>Type</b><br>Part no.   | <b>377-320-7U-F6.3</b><br>2006331B   | <b>377-420-7U-F6.3</b><br>2006331D             | <b>377-520-7U-F6.3</b><br>2006331C             |
| Spindle end<br>Suitable tool inserts with |                           | Internal hex. Drive DIN ISO 1173 - F6.3 (1/4") with quick change chuck<br>External hex. Drive DIN ISO 1173 - E6.3 (1/4") |  |  |
| Torque min.                               | Nm / in.lbs               | 0.4 / 3.5  | 0.4 / 3.5                                      | 0.3 / 2.7                                      |
| Torque max.                               | Nm / in.lbs               | 3.6 / 31.9   | 4.5 / 39.8                                     | 6.5 / 57.5                                     |
| Speed, idling                             | rpm                       | 780  | 580  | 360  |
| Air consumption                           | m <sup>3</sup> /min / cfm | 0.3 / 11   | 0.3 / 11                                       | 0.3 / 11                                       |
| Weight                                    | kg / lbs                  | 0.93 / 2   | 0.93 / 2                                       | 0.93 / 2                                       |
| Hose for air supply (O.D./I.D.)           | mm / in.                  | 8 / 5.5 (.314 / <sup>7</sup> / <sub>32</sub> )   | 8 / 5.5 (.314 / <sup>7</sup> / <sub>32</sub> ) | 8 / 5.5 (.314 / <sup>7</sup> / <sub>32</sub> ) |
| Hose for function control (O.D./I.D.)     | mm / in.                  | 4 / 2.5 (.157 / <sup>3</sup> / <sub>32</sub> )   | 4 / 2.5 (.157 / <sup>3</sup> / <sub>32</sub> ) | 4 / 2.5 (.157 / <sup>3</sup> / <sub>32</sub> ) |
| Noise level                               | dB (A)                    | 76   | 76   | 76   |

Performance data relate to an air pressure of 6.3 bar (90 PSI)

▶ Please find suitable accessories on page 7.      ▶ Please also find suitable tool inserts in our product catalog D3320E.



| Screwdriver Style                     |                           | Motor Size 3                                |                       |                       |                       |
|---------------------------------------|---------------------------|---|-----------------------|-----------------------|-----------------------|
| Spindle right rotation                | <b>Type</b>               | <b>377-230-7-E10</b>                        | <b>377-730-7-E10</b>  | <b>377-330-7-E10</b>  | <b>377-430-7-E10</b>  |
| Remote Start                          | Part no.                  | 200941B                                     | 200941C               | 200941D               | 200941E               |
| Spindle end                           |                           | External Square Drive DIN 3121 - E10 (3/8") |                       |                       |                       |
| Suitable tool inserts with            |                           | Internal Square Drive DIN 3121 - G10 (3/8") |                       |                       |                       |
| Torque min.                           | Nm / in.lbs               | 4 / 35.4                                    | 4 / 35.4              | 4 / 35.4              | 4 / 35.4              |
| Torque max.                           | Nm / in.lbs               | 7 / 62                                      | 12 / 106.2            | 20 / 177              | 35 / 309.8            |
| Speed, idling                         | rpm                       | 1500  | 840                   | 450                   | 240                   |
| Air consumption                       | m <sup>3</sup> /min / cfm | 0.45 / 16                                   | 0.45 / 16             | 0.45 / 16             | 0.45 / 16             |
| Weight                                | kg / lbs                  | 1.9 / 4.2                                   | 1.9 / 4.2             | 1.9 / 4.2             | 1.9 / 4.2             |
| Hose for air supply (O.D./I.D.)       | mm / in.                  | 10 / 7 (3/8 / .273)                         | 10 / 7 (3/8 / .273)   | 10 / 7 (3/8 / .273)   | 10 / 7 (3/8 / .273)   |
| Hose for function control (O.D./I.D.) | mm / in.                  | 4 / 2.5 (.157 / 3/32)                       | 4 / 2.5 (.157 / 3/32) | 4 / 2.5 (.157 / 3/32) | 4 / 2.5 (.157 / 3/32) |
| Noise level                           | dB (A)                    | 79  | 79                    | 79                    | 79                    |

| Screwdriver Style                     |                           | Motor Size 3                                |                       |                       |                       |
|---------------------------------------|---------------------------|---|-----------------------|-----------------------|-----------------------|
| Spindle reversible                    | <b>Type</b>               | <b>377-230-7U-E10</b>                       | <b>377-730-7U-E10</b> | <b>377-330-7U-E10</b> | <b>377-430-7U-E10</b> |
| Remote Start                          | Part no.                  | 200619B                                     | 200619C               | 200619D               | 200619E               |
| Spindle end                           |                           | External Square Drive DIN 3121 - E10 (3/8") |                       |                       |                       |
| Suitable tool inserts with            |                           | Internal Square Drive DIN 3121 - G10 (3/8") |                       |                       |                       |
| Torque min.                           | Nm / in.lbs               | 4 / 35.4                                    | 4 / 35.4              | 4 / 35.4              | 4 / 35.4              |
| Torque max.                           | Nm / in.lbs               | 6.5 / 57.5                                  | 10 / 88.5             | 19 / 168.2            | 32 / 283.2            |
| Speed, idling                         | rpm                       | 1400  | 730                   | 365                   | 190                   |
| Air consumption                       | m <sup>3</sup> /min / cfm | 0.45 / 16                                   | 0.45 / 16             | 0.45 / 16             | 0.45 / 16             |
| Weight                                | kg / lbs                  | 2.15 / 4.7                                  | 2.15 / 4.7            | 2.15 / 4.7            | 2.15 / 4.7            |
| Hose for air supply (O.D./I.D.)       | mm / in.                  | 10 / 7 (3/8 / .273)                         | 10 / 7 (3/8 / .273)   | 10 / 7 (3/8 / .273)   | 10 / 7 (3/8 / .273)   |
| Hose for function control (O.D./I.D.) | mm / in.                  | 4 / 2.5 (.157 / 3/32)                       | 4 / 2.5 (.157 / 3/32) | 4 / 2.5 (.157 / 3/32) | 4 / 2.5 (.157 / 3/32) |
| Noise level                           | dB (A)                    | 79  | 79                    | 79                    | 79                    |

Performance data relate to an air pressure of 6.3 bar (90 PSI)

|   |   |
|---|---|
| ▶ Please find suitable accessories on page 7. | ▶ Please also find suitable tool inserts in our product catalog D3320E. |
|---|---|



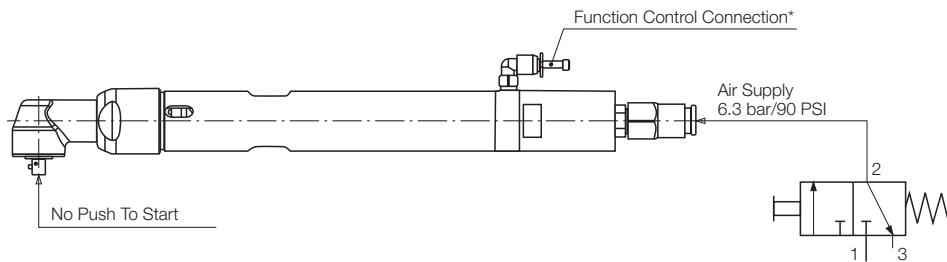
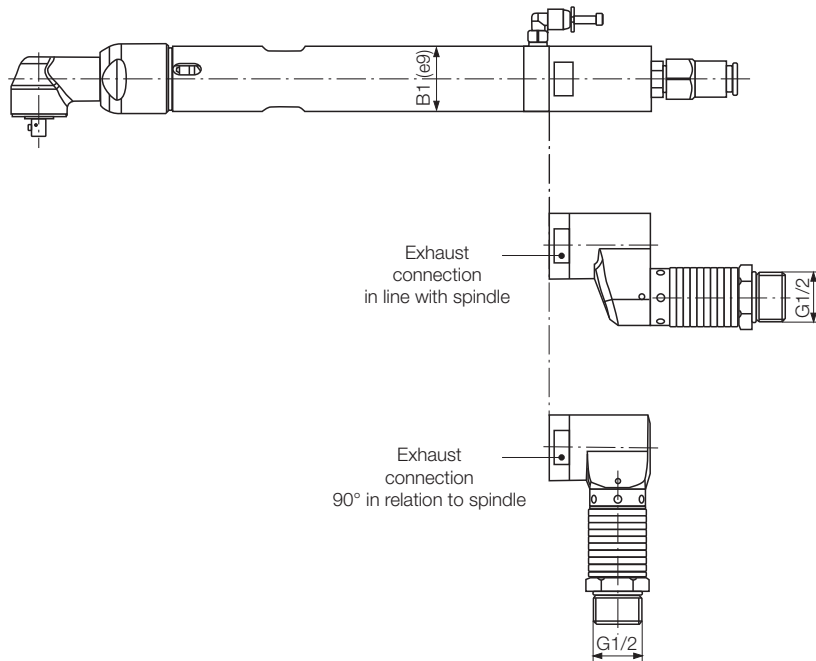


## Included in delivery of the screwdriver

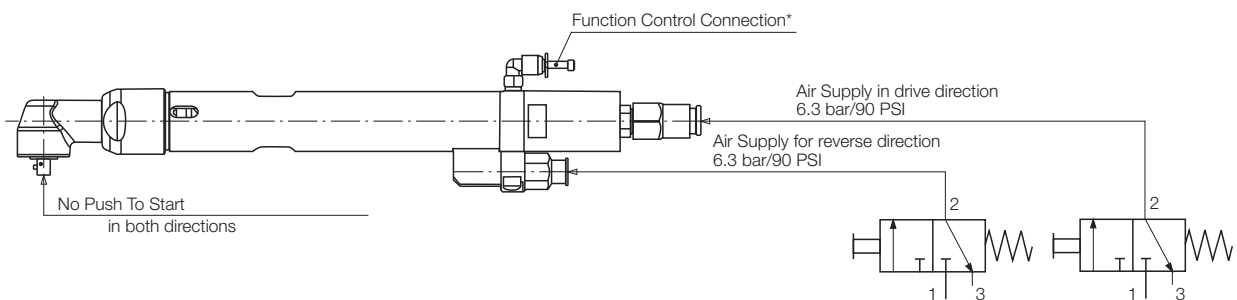
Set of coupler and connector plugs · Torque and adjustment tool · Assortment of clutch springs

## Optional Equipment

| suitable for                            |          | Motor Size 2 | Motor Size 3<br>right rotation / reversible | Motor Size 4 |
|---|----------|--------------|---|--------------|
| Exhaust connection in line with spindle | Part no. | 386924A      | 386924A / 386924C                           | 351820R      |
| 90° in relation to spindle              | Part no. | 386924B      | 386924B / 386924D                           | 351820U      |



Remote Start (3/2-way valve)  
Driver with one way rotation - right rotation.



Remote Start (3/2-way valve) in drive direction and in reverse.  
Driver reversible, Torque adjustable in drive direction. In reverse direction tool drives with full power.

\*) During drive cycle the Function Control Line is under pressure (approx. 2 bar).

# DEPRAG

**DEPRAG SCHULZ GMBH u. CO.**

P.O. Box 1352, D-92203 Amberg, Germany  
Carl-Schulz-Platz 1, D-92224 Amberg  
Phone (+49) 9621 371-0, Fax (+49) 9621 371-120  
[www.deprag.com](http://www.deprag.com)  
[info@deprag.de](mailto:info@deprag.de)

CERTIFIED AS PER DIN EN ISO 9001

---